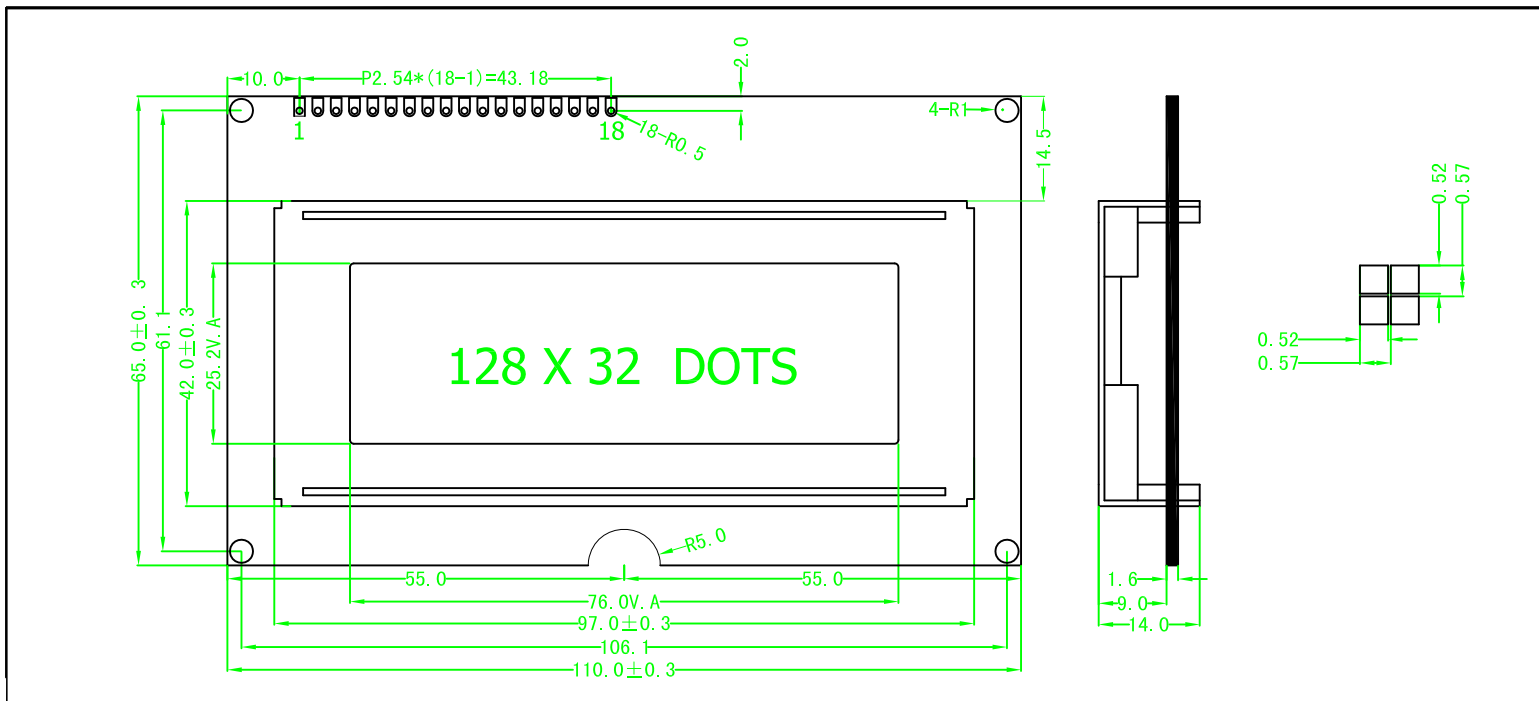
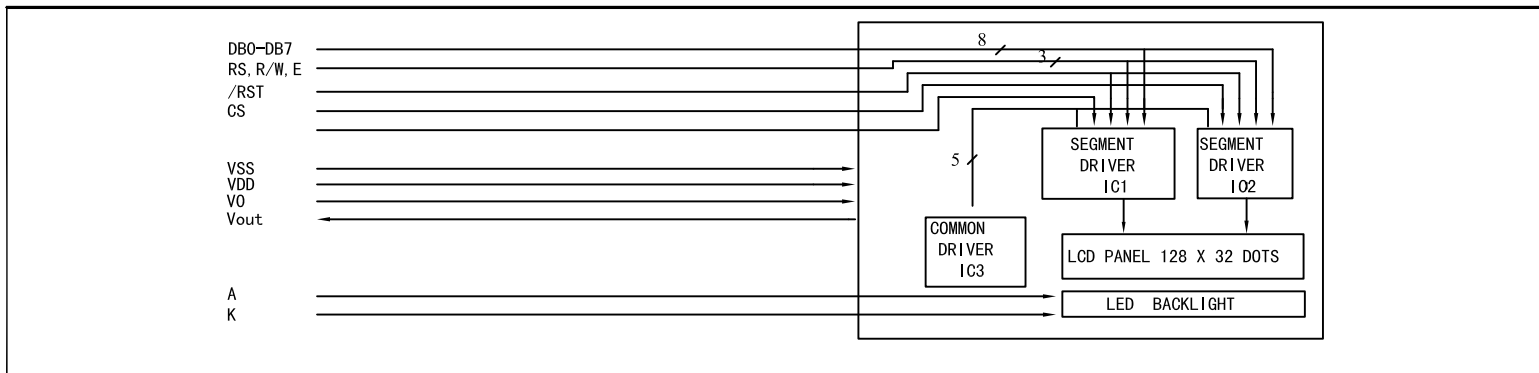




## 1.0 DIMENSIONAL DRAWING



## 2.0 BLOCK DIAGRAM & POWER SUPPLY



## 3.0 MECHANICAL SPECIFICATIONS & FEATURE

Item	Nominal Dimensions (mm)	Feature	
		LCD Type	STN
Module Size (W*H*T)	110.0 × 65.0 × 14.0	LCD Type	Yellow-green
View Area (W*H)	76.0 × 25.2	LCD Coloure	6 O'clock
Dot × Dot (W*H)	128 × 32	Display Type	Positive Type
Dot Pitch (W*H)	0.57 × 0.57	Rear Polarizer	Transflective
Dot Size (W*H)	0.52 × 0.52	Operating Temperature	-15° C to +65° C
---	---	Storage Temperature	-20° C to +70° C
---	---	Backlight	LED (Yellow-green)

## 4.0 ELECTRICAL CHARACTERISTICS

Item	Symbol	Test Condition	Min.	Typ.	Min.	Unit
Operating Voltage	Vdd	Ta=25° C	---	5.0	---	V
Operating Voltage For LCD	Vlcd	Ta=25° C	---	9.0	---	V
Supply Current	Idd	Ta=25° C, Vdd=3.0V	---	15	---	μA
Supply Current For Backlight	If	Ta=25° C, VAK=3.0V	---	15	---	mA

## 5.0 INTERFACE PIN CONNECTIONS

Pin No.	Symbol	Level	Description
1	V0	---	LCD Driving Voltage Input Terminal
2	A	5.0V	LED Backlight Power Supply Positive Input Terminal
3	VOUT	---	LCM Negative Power Supply Output Terminal
4	VDD	5.0V	LCM Power Supply Positive Input Terminal
5	VSS	0V	LCM Power Supply Negative Input Terminal
6	E	H/L	LCM Enable Signal Input Terminal
7	RS	H/L	LCM Comand/data Input Terminal
8	R/W	L	LCM Read/Write Signal Input Terminal
9	CS	H/L	LCM Selection Signal Input Terminal
10	/RST	H→L, H	LCM Reset Signal Input Terminal
11-18	DB0-DB7	TRI-STATE	LCM 8-bits Data Input Terminal

NOTE: 10